

TECHNICAL DATA SHEET



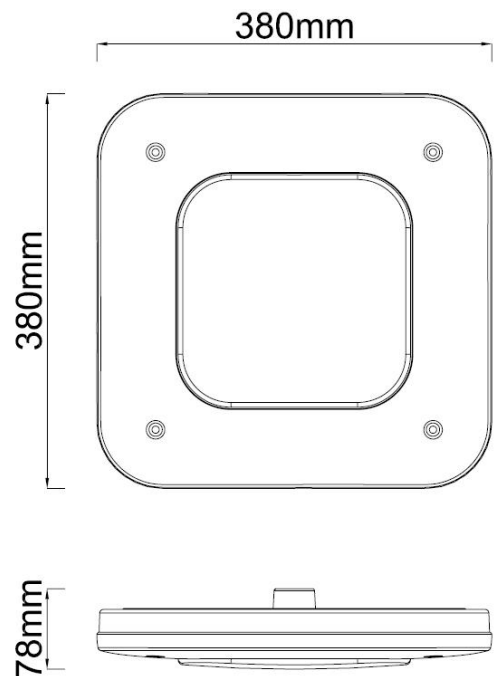
NAME: LED Canopy Light

P/N: CLS-CP-130W

Note: The Letter X in P/N stands for
1:Ceiling mounted
2:Threaded rod mounting

Advantage:

- UL cUL DLC certificate
- High CRI
- Mean Well IP65 driver, Input voltage 100-277Vac
- No UV or IR in the beam
- Easy to install and operate
- Energy saving, Long lifespan
- Light is soft and uniform, Safe to eyes
- Instant start, NO flickering, NO humming
- Green and eco-friendly without mercury.



Application:

- ◆ Gas station

TECHNICAL DATA SHEET

Product Specifications

Product name	LED Canopy Light
Part No	CLS-CP-130W
Dimension	380 x 380 x 78mm

Technical Characteristic

Color temperature	4000K	4500K	5000K	5700K
CRI	>70			
Lumen	15000 - 15500LM			
Input Power	130W			
Viewing Angle	110°			
Input Voltage	100-277Vac 50/60Hz			
Driver model	HLG-150H-48A (Mean Well Driver)			
PFC	>0.9			
Waterproof Rating	IP65			

Materials

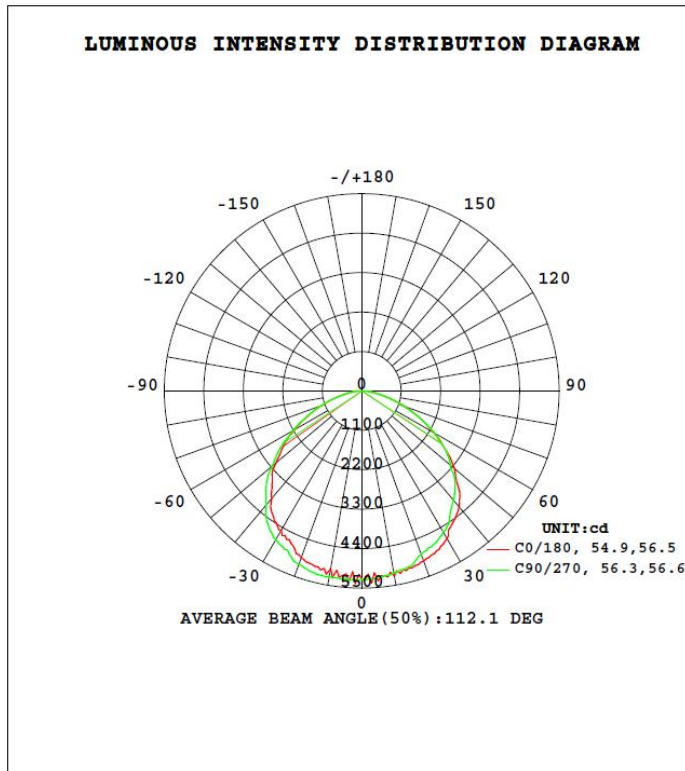
LED Brand	Nichia
LED Type	3030 (1.42W)
LED QTY	154 PCS
Housing	Aluminum
Housing color	White

Others

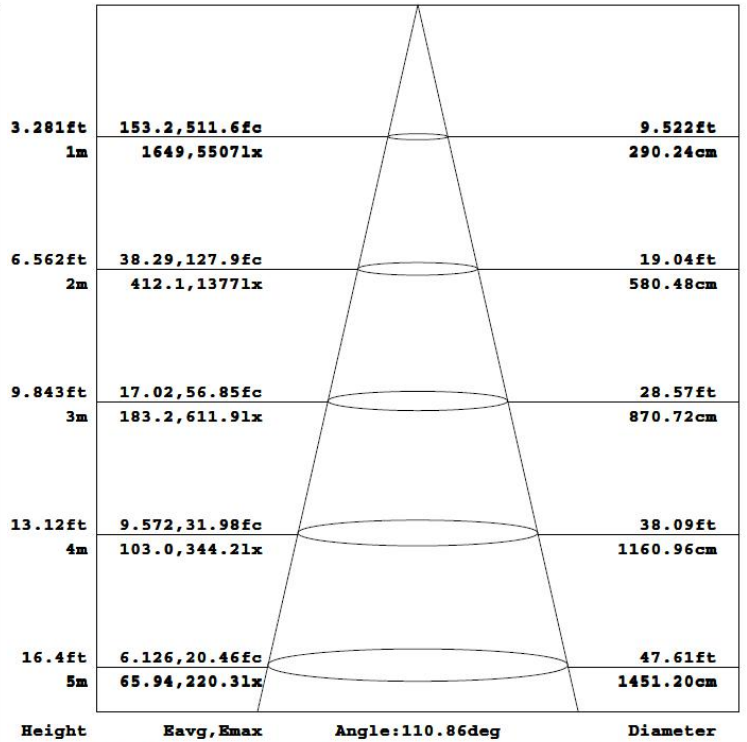
Operating Temperature	-20°C TO 45°C
Operating Humidity	20%-90% RH
Storage Temperature	-30°C TO 80°C
Storage Humidity	10%-95%
Application	Outdoor / Indoor
Safety Certification	UL、cUL、DLC
Warranty Time	5 Years

Light Distribution Testing Parameters

DATA OF LAMP		PHOTOMETRIC DATA			
MODEL	130W	Imax (cd)	5505	S/MH (C0/180)	1.28
NOMINAL POWER (W)	130	LOR (%)	100.0	S/MH (C90/270)	1.36
RATED VOLTAGE (V)	120	TOTAL FLUX (lm)	15140	η UP, DN (C0-180)	0.1, 50.1
NOMINAL FLUX (lm)	15139.6	CIE CLASS	DIRECT	η UP, DN (C180-360)	0.1, 49.7
LAMPS INSIDE	1	η up (%)	0.2	CIBSE SHR NOM	1.50
TEST VOLTAGE (V)	120.0	η down (%)	99.8	CIBSE SHR MAX	1.50



Flux out: 11384 lm

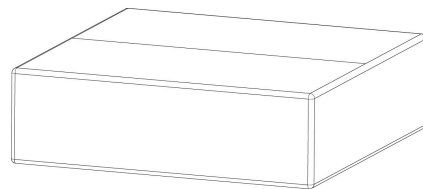
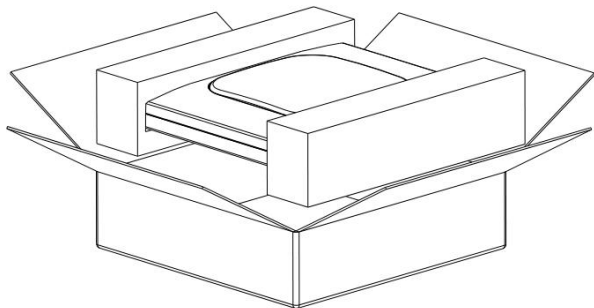


Note: The Curves indicate the illuminated area and the average illumination when the luminaire is at different distance.

Package

Lamps Net Weight: 6.3 Kg/pc

	Size	Qty/ Carton	Weight/ Carton
Outer box	425 x 420 x 120mm	1	7.3 KG



Notice For User

- ◆ Please turn off power before install or change assembly parts.
- ◆ The input voltage and lamps should be matched, after connecting the power line, Please make sure the wiring section is insulated.
- ◆ No-professionals, must not install and disassemble the lamps.

Trouble Shootings

Troubles	Check points
Flickering of the light	Turn off the power and turn on again in 3 minutes. If same phenomena occur, then call agencies
Out of working	Please check the connection
