

ROUND BULLHORNS

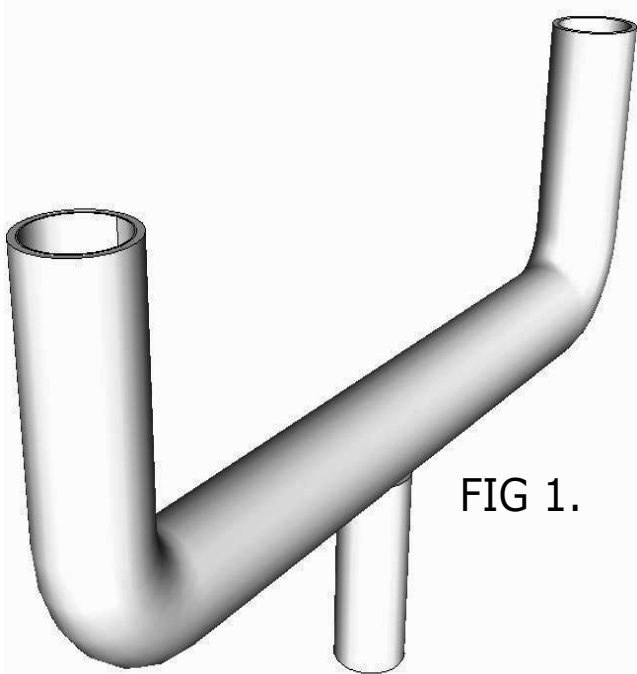


FIG 1.

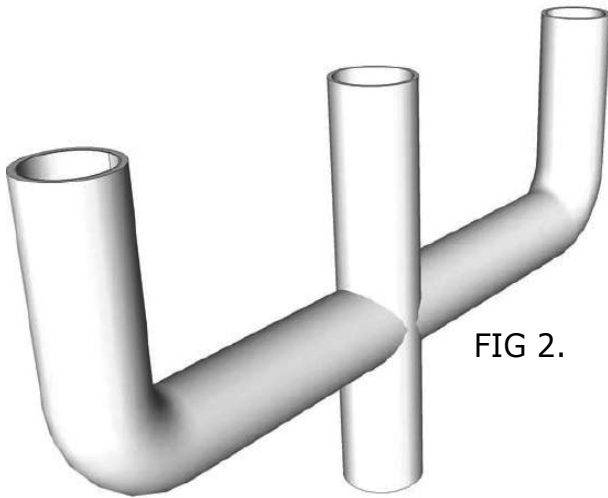


FIG 2.

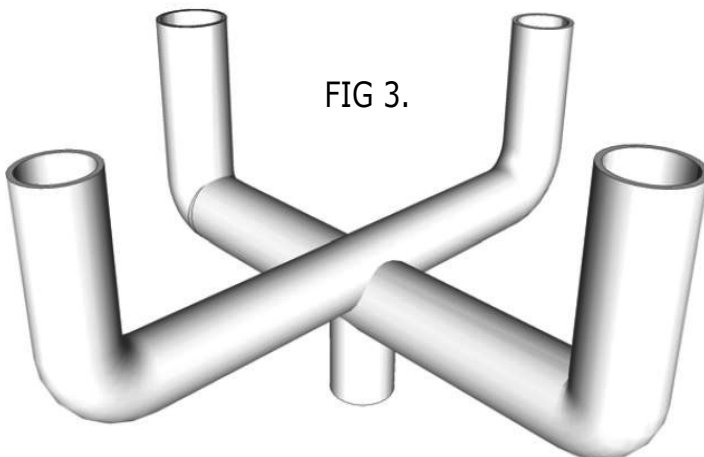


FIG 3.

PART #	CLS-RD-2RT
FIG #	1
NUMBER OF TENONS	2
Width Between Tenons	43"
Total Width	45"
PART #	CLS-RD-3RT
FIG #	2
NUMBER OF TENONS	3
Width Between Tenons	30"
Total Width	60"
PART #	CLS-RD-4RT
FIG #	3
NUMBER OF TENONS	4
Width Between Tenons	24"
Total Width	56"